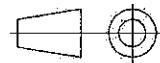
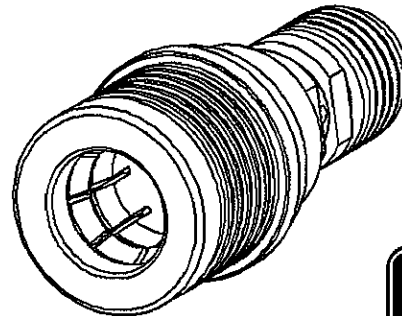
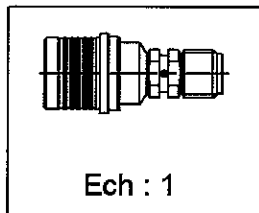
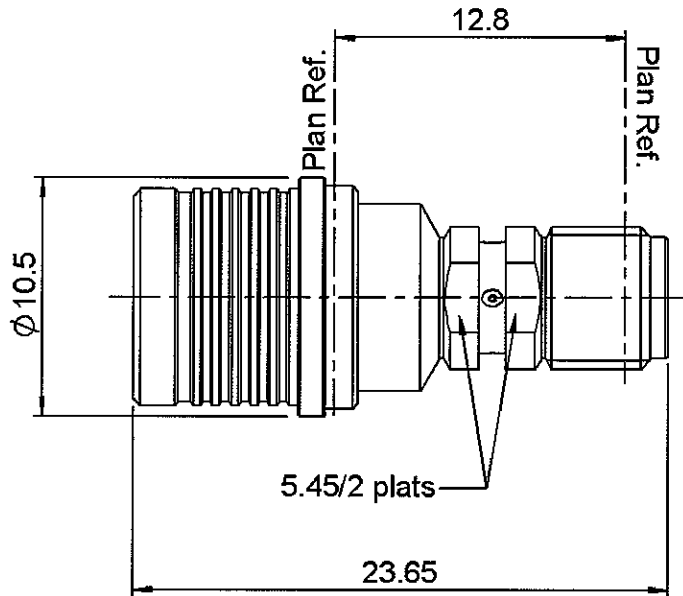


QMA MALE - SMA FEMALE STRAIGHT ADAPTER

R191.911.000

Série : ADAPT



All dimensions are in mm.

COMPONENTS	MATERIALS	PLATINGS (μm)
BODY	BRASS	BBR 2
CENTER CONTACT	BERYLLIUM COPPER	GOLD 1.3 OVER COPPER 2.5
OUTER CONTACT	BRASS	BBR 2
INSULATOR	PTFE	
GASKET		
OTHERS PARTS	BRASS	BBR 2
-	-	-
-	-	-

Issue : 0528 E

In the effort to improve our products, we reserve the rights to make changes judged to be necessary.



QMA MALE - SMA FEMALE STRAIGHT ADAPTER

R191.911.000

Série : ADAPT

PACKAGING

Standard	Unit	Other
1	-	Contact us

SPECIFICATION

ELECTRICAL CHARACTERISTICS

ENVIRONMENTAL

Impedance		50 Ω
Frequency		0-6 GHz
VSWR	1.18 +	0.000 x F(GHz) Maxi
Insertion loss		0.07 √F(GHz) dB Maxi
RF leakage	-(*80 - F(GHz)) dB Maxi
Voltage rating		500 Veff Maxi
Dielectric withstanding voltage		1000 Veff mini
Insulation resistance		5000 MΩ mini

Operating	-40/+80 ° C
Hermetic seal	NA Atm.cm3/s
Panel leakage	NA

MECHANICAL CHARACTERISTICS

OTHERS CHARACTERISTICS

Center contact retention

Axial force – Mating end	27 N mini
Axial force – Opposite end	27 N mini
Torque	2.8 N.cm mini

*RF leakage Interf. only :3<F<6GHz=>70dB
 ** >-120dBc at 1.8GHz (2 x 20W)

Recommended torque

Mating	QMA	0 N.cm
	SMA-	60 N.cm
		0 N.cm
Panel nut		N.cm

Mating life	100 Cycles mini
Weight	5.650 g

Issue : 0528 E

In the effort to improve our products, we reserve the rights to make changes judged to be necessary.



RADIALL®